



# **GAS PRICE CHANGER POWER SUPPLY WIRING GUIDE**

**8" / 12" / 16" / 18" / 24" / 30" / 32"**

# TABLE OF CONTENTS

---

<b>SECTION 1 – SAFETY NOTES</b> .....	<b>1</b>
<b>SECTION 2 – POWER SUPPLY MOUNTING</b> .....	<b>2</b>
<b>SECTION 3 – UNPACKING</b> .....	<b>3</b>
<b>SECTION 4 – USAGE CHART</b> .....	<b>4</b>
<b>SECTION 5 – CLG100-24 (Mechanical Specifications)</b> .....	<b>5</b>
<b>SECTION 6 – CLG100-24 (Wiring)</b> .....	<b>6</b>
<b>SECTION 7 – DSP100-24/C2 (Mechanical Specifications)</b> .....	<b>7</b>
<b>SECTION 8 – DSP100-24/C2 (Wiring)</b> .....	<b>8</b>
<b>SECTION 9 – CLEANING</b> .....	<b>9</b>

# SECTION 1

## SAFETY NOTES

### READ INSTRUCTIONS

- Make sure you read and understand all instructions.
- Retain instructions for future reference.
- Follow all warnings and instructions indicated in this wiring guide including those marked on the product.

### BEFORE WIRING

- During installation do not allow the AC power to be connected inadvertently.

### DURING OPERATION

- Do not make modifications while in operation. Risk of electrical shock can be fatal.



# SECTION 2

## POWER SUPPLY MOUNTING

---

### REQUIREMENTS

- 1) At least 24" off the ground.
- 2) 24" away from any transformer or AC power source.
- 3) Operating temperature must be between  $-25^{\circ}\text{C}$  to  $70^{\circ}\text{C}$ . Fan ventilation is required for operating temperatures that exceed  $70^{\circ}\text{C}$ .
- 4) Leave sufficient space around the unit for cooling.
- 5) Must be within 5 feet from the display.
- 6) Dedicated circuit breaker, separated from other lighting or power equipment.
- 7) Keep dry and away from damp or wet environments.

# SECTION 3

## UNPACKING

### VERIFY PACKAGE CONTENTS

You may receive one of the following two (2) different types of power supply units with your **DIGI-BRITE™** system order.

(1) Part No.: CLG100-24



(1) Part No.: DSP100-24



 **NOTE:** Please refer to the Usage Chart for the corresponding quantity of power supply units required to drive respective sizes of the **DIGI-BRITE™** system.

If you have any missing items, please call 1-800-223-9223 x115 and ask for a **DIGI-BRITE™** Customer Care Representative.

# SECTION 4

## USAGE CHART

### POWER SUPPLY MODEL AND CORRESPONDING QUANTITY

<b><i>DIGI- BRITE™</i></b> Size	Power Supply Model # and Quantity Used	
	CLG100-24	DSP100-24/C2
8"	1	1
12"	1	1
16"	1	1
18"	1	1
24"	2	2
30"	3	2
36"	3	2

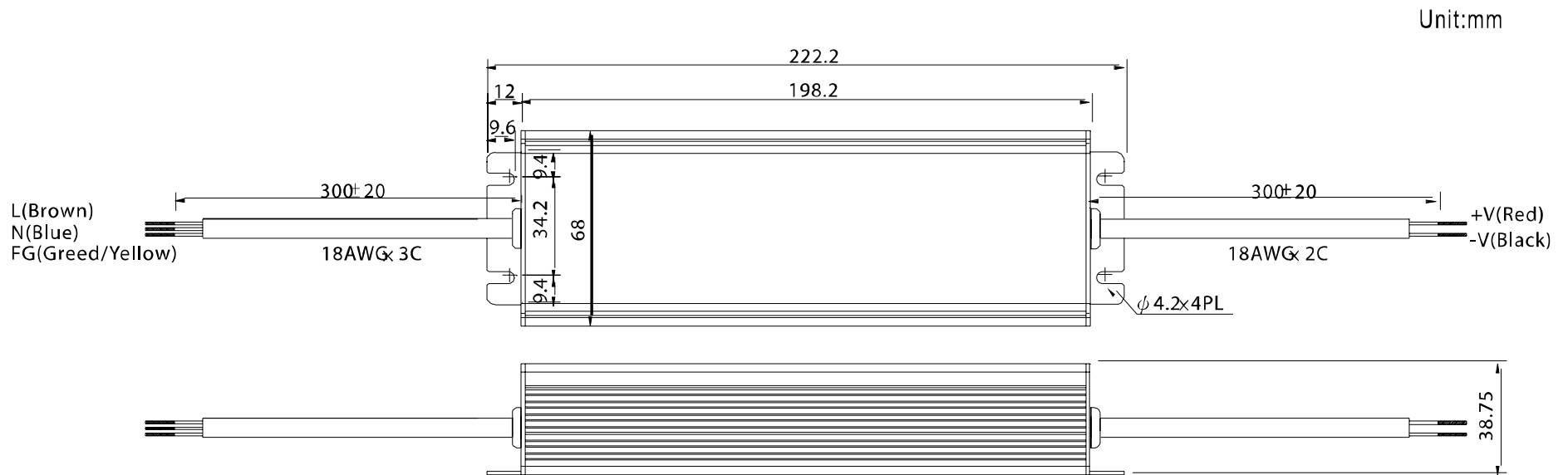


**CAUTION:** Never overload the power supply units. Risk of overheating, can cause product damage, fire and electrical shock which can be fatal.

# SECTION 5

## CLG100-24

### MECHANICAL SPECIFICATIONS



# SECTION 6

## CLG100-24

### WIRING



#### AC-INPUT

Green Wire = GND  
Brown Wire = LIVE  
Blue Wire = NEUTRAL

#### DC-OUTPUT (to gas pricer)

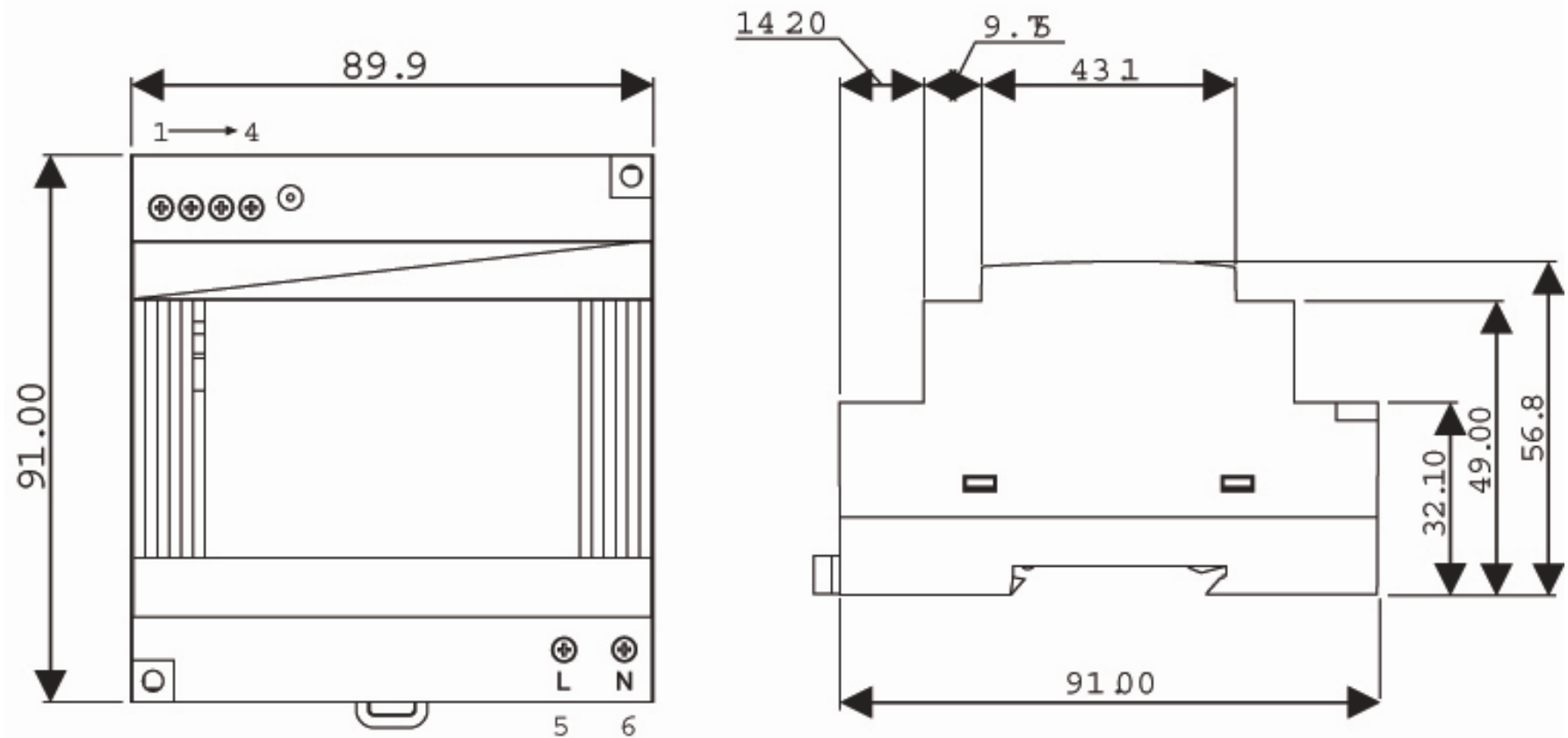
Red Wire = POSITIVE (+)  
Black Wire = GND (-)

# SECTION 7

## DSP100-24/C2

### MECHANICAL SPECIFICATIONS

mm [inch]



# SECTION 8

## DSP100-24/C2

### WIRING



#### AC-INPUT

White Wire = LIVE  
Black Wire = NEUTRAL

#### DC-OUTPUT (to gas pricer)

Red Wire = POSITIVE (+)  
Black Wire = GND (-)

# SECTION 9

## CLEANING

---

Please go through the following checklist before powering up the power supply(s).

- The installation meets the requirements on Section
- Make sure all connections to the terminal blocks are secure (potential danger of short circuit).
- Label your AC and DC wiring accordingly so that any service personnel can identify them easily.
- Do not make modifications while in operation. Risk of electrical shock can be fatal.

Any Questions? Call Us.  
**1-800-223-9223 x115**